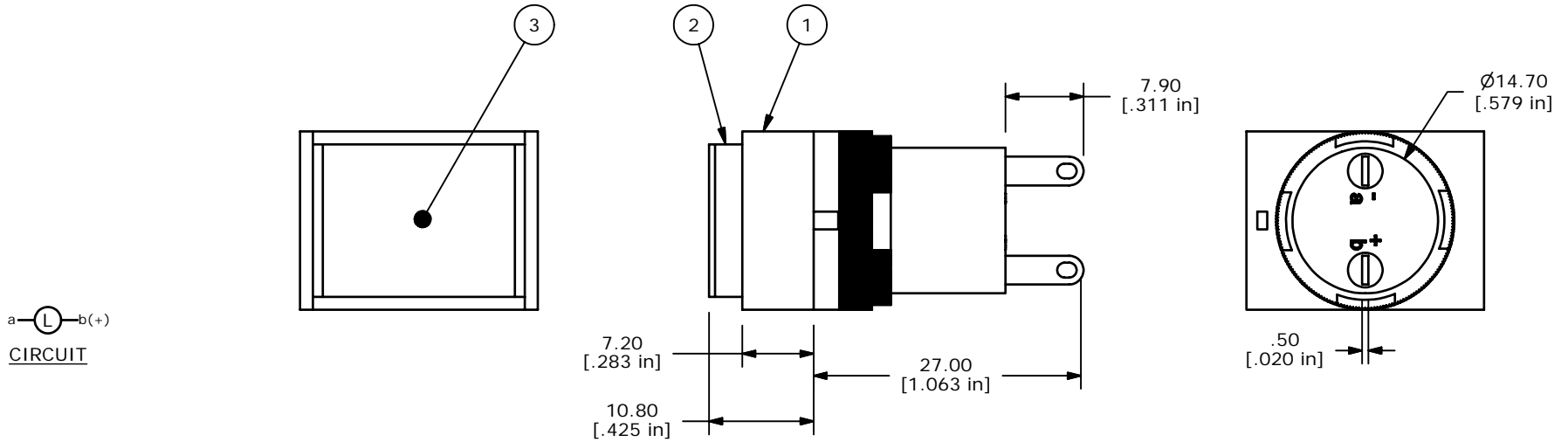


PARTS LIST				
ITEM	QTY	PART NUMBER	DESCRIPTION	
1	1	F040001	L16PLT10	
2	1	F050202	50-002-02 RECTANGULAR CONCAVE GREEN LENS	
3	1	F050416	50-004-16 6V GREEN LED	



- NOTE:
1. ALL DIMENSIONS IN MM [INCH]
  2. GENERAL TOLERANCE: X.X=±0.4  
X.XX=±0.25
  3. TERMINAL NUMBERS FOR REF ONLY
  4. OPERATING TEMP: -25°C to +55°C
  5. STORAGE TEMP: -40°C TO +85°C
  - ▲ 6. LAMP VOLTAGE: 6VDC LED
  7. ▲ DENOTES CRITICAL PARAMETER.
  8. 2002/95/EC (ROHS) COMPLIANT

**E-SWITCH®**

A	16147	RELEASED FOR PRODUCTION	6/15/06	CT
REV	PCR NO	DESCRIPTION	DATE	BY

TITLE	L16PLT10HGRNGRN			
SCALE	1.5:1	DATE	6/15/2006	DR
			CT	DWG
				XF0679P
				REV
				A

THE INFORMATION CONTAINED IN THIS DOCUMENT IS PROPRIETARY TO E-SWITCH AND IS NOT TO BE COPIED OR TRANSFERRED